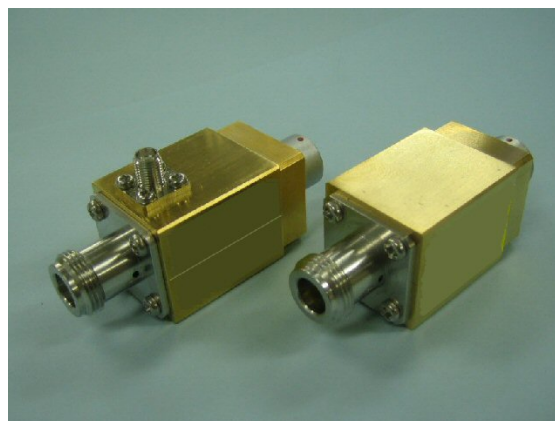


## AC-DC 標準器ケースキット

AC-DC THERMAL VOLTAGE CONVERTER  
CASE KIT  
TVCC



### 特長用途

交直変換素子 JSTC を使用して TVC04、TVC05、TVC06、を組み立てるための、コネクタ、金属ケース、ねじのセット。  
N コネクタは、プラグ、レセプタいずれかを選択。SMA コネクタは、レセプタのみ、JSTC を取り付けるプリント配線板 1 枚、組み立てに必要な、ねじを同梱してあります。コネクタを接続するワイヤ、銘板は、キットに含みません。金属ケースの材質は、真鍮、表面処理は、金めっきです。

### Features and Applications

A kit of containing metal chassis, N-connectors (P or R), SMA connector, LEMO-3 pins connector, circuit boards and screws for assembling TVC04, TVC05 or TVC06.  
The Kit does not contain JSTC, wires and name plate.  
Material of metal case is Au plated brass.

### 形名呼称、部品構成

### Ordering Information and Parts

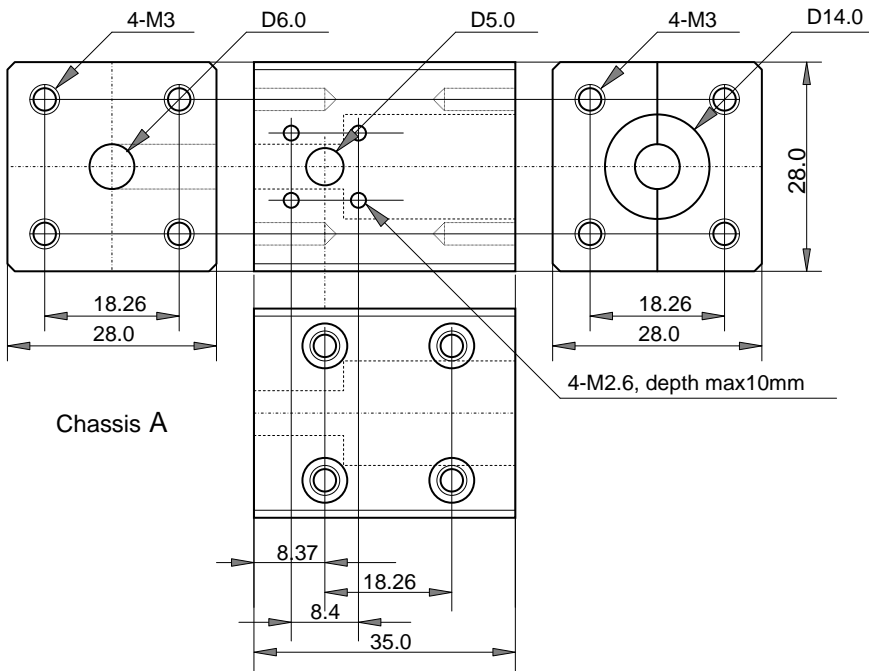
Ordering P/N	TVCC04AR	TVCC05BR	TVCC06AR	TVCC06BR
Input Connector, N	SUHNER N-R	SUHNER N-R	SUHNER N-R	SUHNER N-R
Input Connector, SMA	SMA HIROSE HRM-300-60S	---	SMA HIROSE HRM-300-60S	---
Output Connector	LEMO 3pin	LEMO 3pin	LEMO 3pin	LEMO 3pin
Circuit Board	PCB04	PCB05	PCB06	PCB06
Chassis	Chassis A	Chassis B	Chassis A	Chassis B
Screws, M2.6-6mm	4	---	4	---
Screws, M3-16mm	4	4	4	4
Screws, M3-8mm	4	4	4	4
Screws, M3-12mm	4	4	4	4
Screws, M2-4mm	4	4	4	4
Wires	---	---	---	---
T-C Element	---	---	---	---
Capacitor	10pF	10pF	10pF	10pF
Resistor	[1608]-560Ohm-J	[1608]-560Ohm-J	[1608]-560Ohm-J	[1608]-560Ohm-J
Remarks				

Ordering P/N	TVCC04AP	TVCC05BP	TVCC06AP	TVCC06BP
Input Connector, N	SUHNER N-P	SUHNER N-P	SUHNER N-P	SUHNER N-P
Input Connector, SMA	SMA HIROSE HRM-300-60S	---	SMA HIROSE HRM-300-60S	---
Output Connector	LEMO 3pin	LEMO 3pin	LEMO 3pin	LEMO 3pin
Circuit Board	PCB04	PCB05	PCB06	PCB06
Chassis	Chassis A	Chassis B	Chassis A	Chassis B
Screws, M2.6-6mm	4	---	4	---
Screws, M3-16mm	4	4	4	4
Screws, M3-8mm	4	4	4	4
Screws, M3-12mm	4	4	4	4
Screws, M2-4mm	4	4	4	4
Wires	---	---	---	---
T-C Element	---	---	---	---
Capacitor	10pF	10pF	10pF	10pF
Resistor	[1608]-560Ohm-J	[1608]-560Ohm-J	[1608]-560Ohm-J	[1608]-560Ohm-J
Remarks				

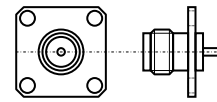
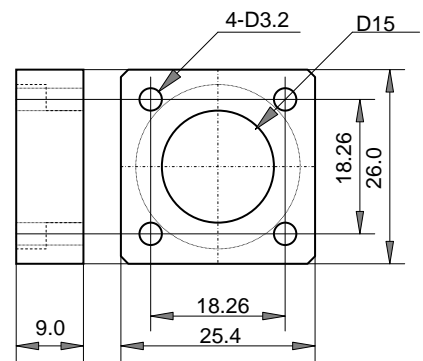
Note: "----" shows not included.

AC-DC THERMAL VOLTAGE CONVERTER CASE KIT

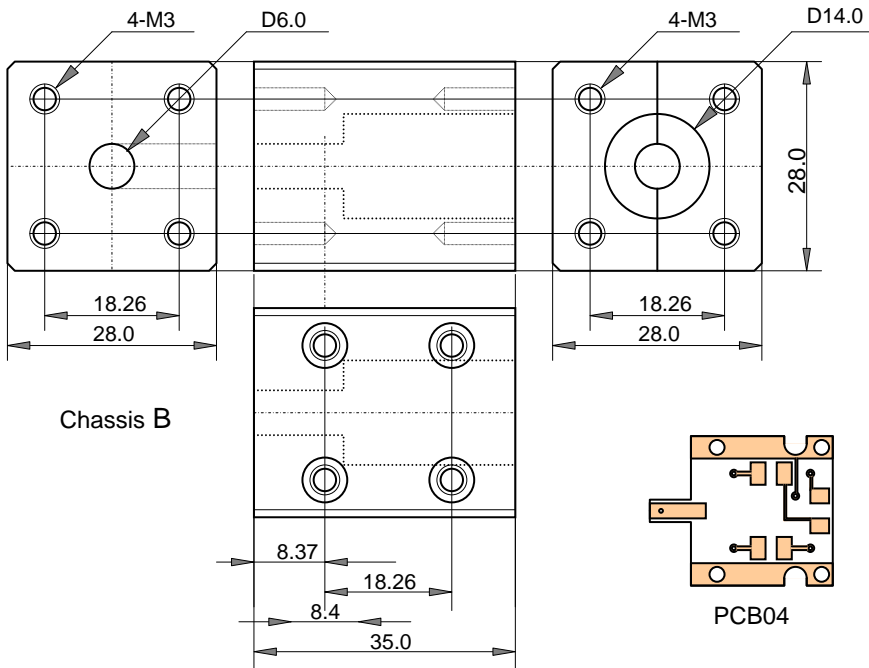
TVCC



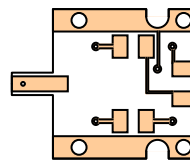
Chassis A



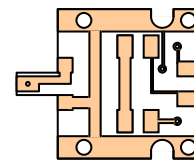
AC INPUT  
SMA HIROSE HRM-300-60S



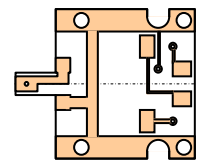
Chassis B



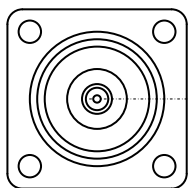
PCB04



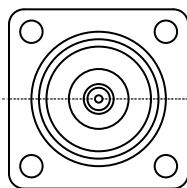
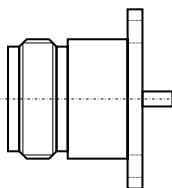
PCB05



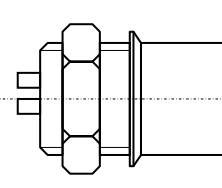
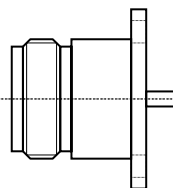
PCB06



AC INPUT  
SUHNER N-R\_23N\_50-0-23/133NE



AC INPUT  
SUHNER N-P\_13N\_50-0-33/133NE



DC OUTPUT  
LEMO 3pin EH.G.2B.303.CLL

