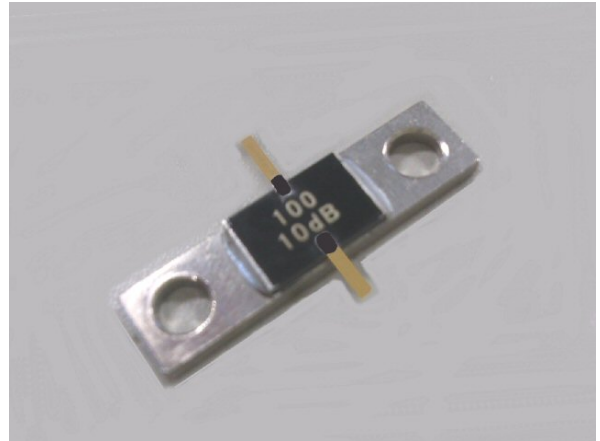


100W 高電力減衰器  
 FLANGE MOUNT  
 RF POWER ATTENUATORS  
 RFA100 110



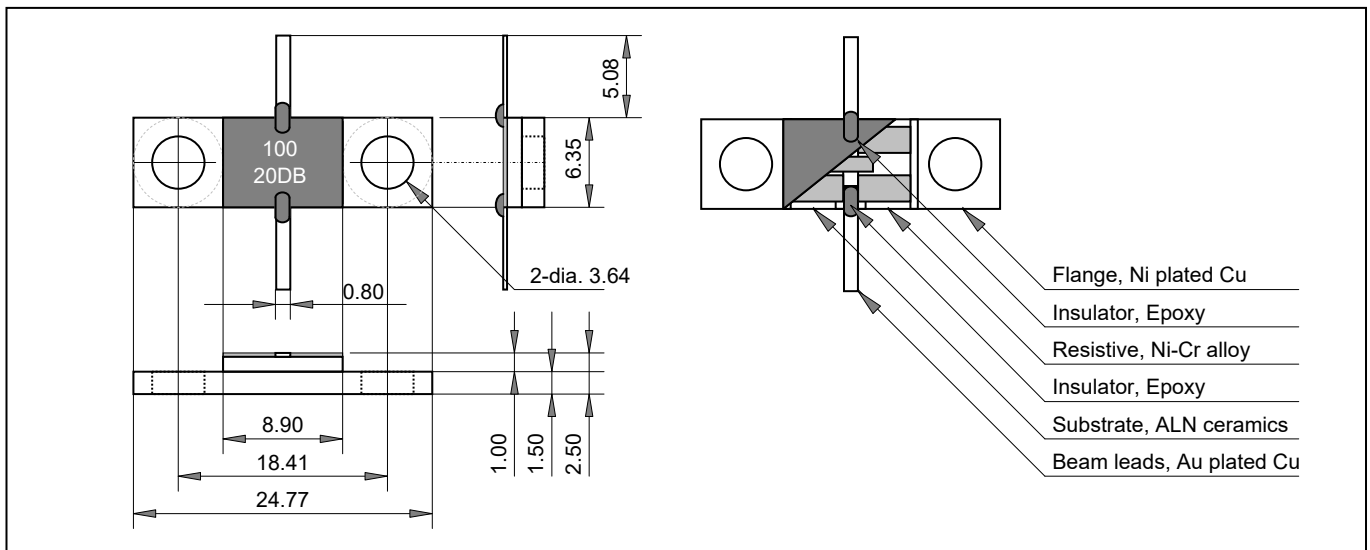
特長用途

RFA100110 は、定格入力電力 100W、フランジ電力減衰器、帯域 DC-3GHz 領域において使用、特性インピーダンス 50Ω、減衰量 3dB から 30dB の電力減衰器。  
 RFA100 110 は、RoHS 適合品。  
 ヒートシンクあるいは金属絶縁基板にねじで固定して実装して使用します。  
 アイソレータ終端器、電力増幅器のパワー検出、高速 L S I 試験装置の信号制御、理化学機器、分析装置、医用電子機器のパワー減衰器として。

Features and Applications

RFA100 110, 100W, flange mount small size attenuators in range of 3dB to 30 dB attenuation, 50ohm characteristic impedance for DC to 3GHz.  
 RFA100 110 is RoHS and BeO free configuration with ALN.  
 RFA100 110 has soft Cu beam leads  
 Long life and temperature stability of thin film technology realize better performance at a temperature range from -55°C to +155°C.  
 Applications include power amplifiers at GHz, loss compensation of transmission line of data communication systems, detecting signal control of ATE-LSI test system-circuit board functional test systems, industrial measurement electronics, medical scientific electronics.

寸法・材質 Dimensions (mm) and Materials



形名呼称 Ordering Information

Type	Attenuation	Tolerance of Imp.	Packaging	Note
RFA100 110	20dB	F	Z05	
RFA100 110	3dB	F (1%)	Z05	Z05 shows RoHS / TRAY Z05 は RoHS 適合、トレイ収納を示す
	6dB			
	10dB			
	20dB			
	30dB			

100W 高電力減衰器

FLANGE MOUNT RF POWER ATTENUATORS

RFA100 110

仕様 Specifications

形式	Type	RFA100 110	Note
定格電力, 入力	Rated Power, input power	100W	-55°C から+100°C
カテゴリ温度	Category Temperature	100 °C	With heat sink
特性インピーダンス	Characteristic Impedance	50 ohm	At dc
インピーダンス許容差	Tolerance, Impedance	+/- 1.0%	At dc
インピーダンス温度係数	TCR, Impedance	+/- 50 ppm /°C	At dc
減衰量	Attenuation	3, 6, 10, 20, 30 dB	at dc
減衰量許容差	Tolerance, Attenuation	See table 1	20dB / 30dB, +/-0.4dB
減衰量温度係数	TCR, Attenuation	+/- 50 ppm /°C	
電圧定在波比	VSWR	See table 2	
動作温度範囲	Operating Temp. Range	-55 °C - +155 °C	
保存温度範囲	Storage Temp. Range	-55 °C - +155 °C	

Note 1: Rating wattage of RFA100 110 assumes that the chip attached on proper heat-sink by screw.

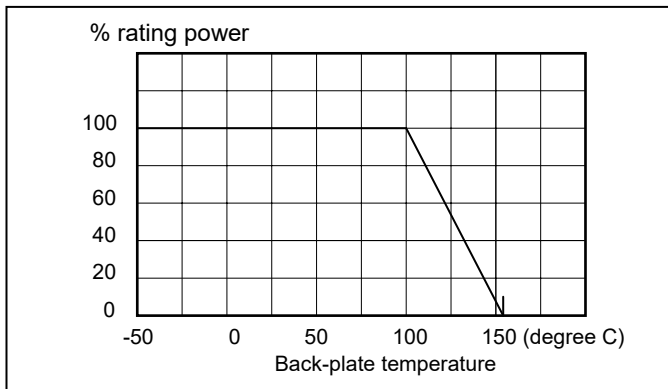
Note 2: RFA100 110 is compliance with RoHS.

Note 3: When another attenuation is required please call factory, [info@nikkohm.co.jp](mailto:info@nikkohm.co.jp)

性能 Performances

Items	Specifications	Conditions
Soldering Heat	+/- 1%	350°C, 3 seconds dipping.
Soldering Capability	95% covered	
Humidity	+/- 1% impedance	Input DC resistance change Under condition of 40C temp and 90-95%RH, rating power ON-90min, OFF-30min, 1000h
Load Life	+/- 1% impedance	Input DC resistance change. Under condition of 70C temp, rating power ON-90min, OFF-30min, 1000h

負荷軽減 Derating



高周波特性 RF Characteristic (S21), typical

GHz	0.1	1.0	1.5	2.0	2.5	3.0
RFA100110 20DB	20.0	20.0	20.0	20.1	20.2	20.3
RFA100110 30DB	30.0	30.0	29.9	30.0	30.0	30.0

高周波特性 RF Characteristics (S11), typical

