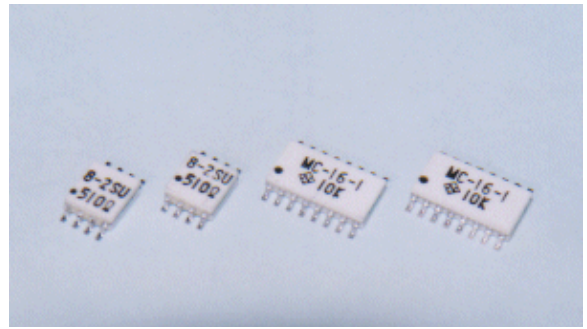


表面実装 SOP、SOIC 抵抗ネットワーク
SOP SOIC RESISTOR NETWORKS

MC8, MC16, MC20
MCN8, MCN16, MCN20

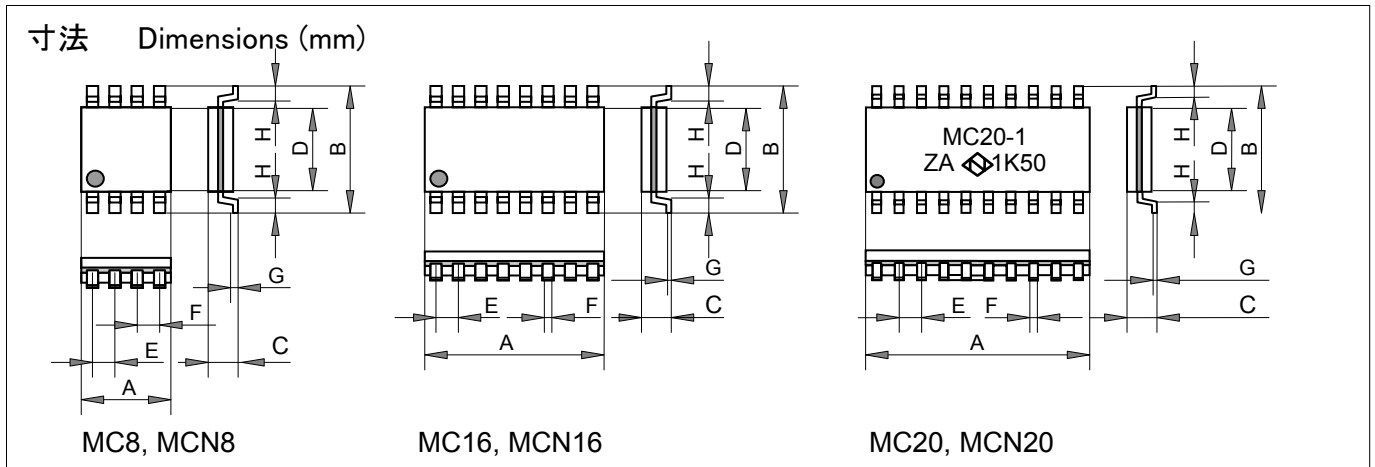


特長・用途

5ppm/C TCR、0.05% 許容差を標準とした高精度抵抗ネットワーク。
抵抗素子あたりの定格電力は 50mW であり、5V-15VDC 電源の回路に使用可能。
わかりやすい独立素子の内部回路方式であり、4素子8端子、8素子16端子、10素子20端子を標準品として供給。
小型ナローボディ SOIC と SOP のパッケージにて供給。
標準品はチューブ包装、テープリール包装は工場に相談してください。
産業用電子機器、工作機械、電子計測器、半導体試験装置、ボードテスター等。

Features and Applications

5ppm/C TCR and 0.05% tolerance standard super precision Ni-Cr thin film resistor networks.
50mW/resistor rating sufficient power derating for 5-15 volt swinging circuits.
Simple standard circuits for 8 pins, 16 pins and 20 pins available to satisfy flexible circuit design requirements.
Both narrow SOIC and SOP available.
Supplied in plastic stick or tape reel for automated assembling.
Custom designed circuits also available in 8, 14, 16, 18, and 20pins ceramic packages. Customer service will be advised.



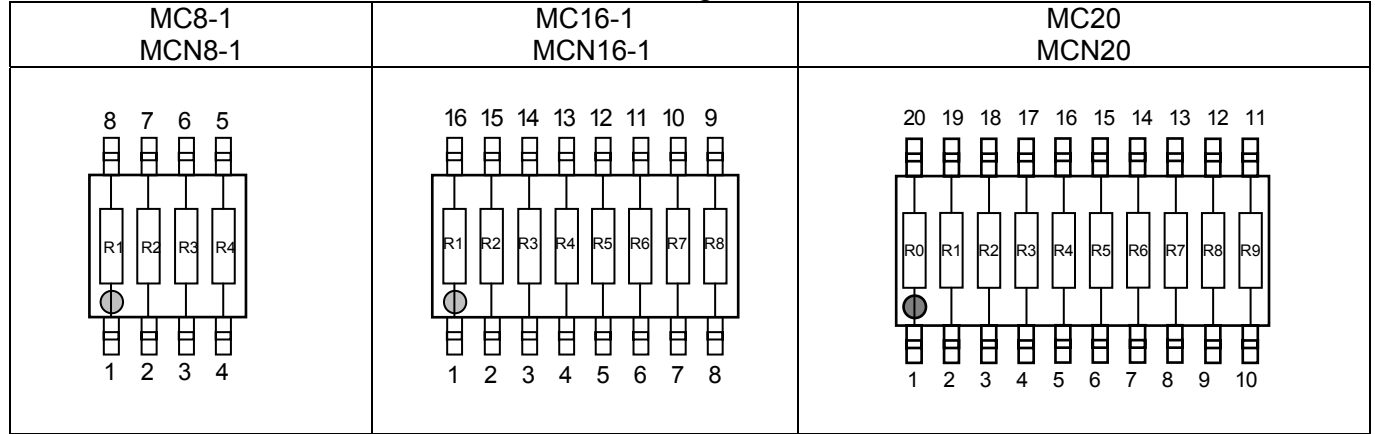
| (mm) | A | B | C | D | E | F | G | H |
|-------|------------|------------|--------|------------|------------|------------|-----------|--------|
| MC8 | 5.5+/-0.2 | 8.0+/-0.2 | 2.3max | 5.3+/-0.2 | 1.27+/-0.2 | 0.4+/-0.05 | 0.2+/-0.1 | 0.3min |
| MCN8 | 5.5+/-0.2 | 5.99+/-0.2 | 2.3max | 3.81+/-0.2 | 1.27+/-0.2 | 0.4+/-0.05 | 0.2+/-0.1 | 0.3min |
| MC16 | 10.5+/-0.2 | 8.0+/-0.2 | 2.3max | 5.3+/-0.2 | 1.27+/-0.2 | 0.4+/-0.05 | 0.2+/-0.1 | 0.3min |
| MCN16 | 10.5+/-0.2 | 5.99+/-0.2 | 2.3max | 3.81+/-0.2 | 1.27+/-0.2 | 0.4+/-0.05 | 0.2+/-0.1 | 0.3min |
| MC20 | 13.0+/-0.5 | 8.0+/-0.2 | 2.3max | 5.3+/-0.2 | 1.27+/-0.2 | 0.4+/-0.05 | 0.2+/-0.1 | 0.3min |
| MCN20 | 13.0+/-0.5 | 5.99+/-0.2 | 2.3max | 3.81+/-0.2 | 1.27+/-0.2 | 0.4+/-0.05 | 0.2+/-0.1 | 0.3min |

形名称呼 Ordering Information

| Type | Schematic | TCR | Resistance | Tolerance | Packaging | Note |
|-------|-----------|----------|------------|------------------------|-------------------|----------------------|
| MCN8 | -1 | Z | 102 | A | 000 | Bulk |
| MC8 | -1 | Z (5ppm) | 101---223 | A (0.05%) B (0.10%) | 000 001 003 | Bulk Tape Tube |
| MC16 | | | | | | |
| MC20 | | | | | | |
| MCN8 | | | | | | |
| MCN16 | | | | | | |
| MCN20 | | | | | | |

表面実装 SOP、SOIC 抵抗ネットワーク SOP SOIC RESISTOR NETWORKS
 MC8, MC16, MCN8, MCN16

内部回路と端子接続 Schematics and Pin Configurations



Note: R1=R2=R3=R4=.....is standard schematic, when request for custom resistance value please contact to factory.

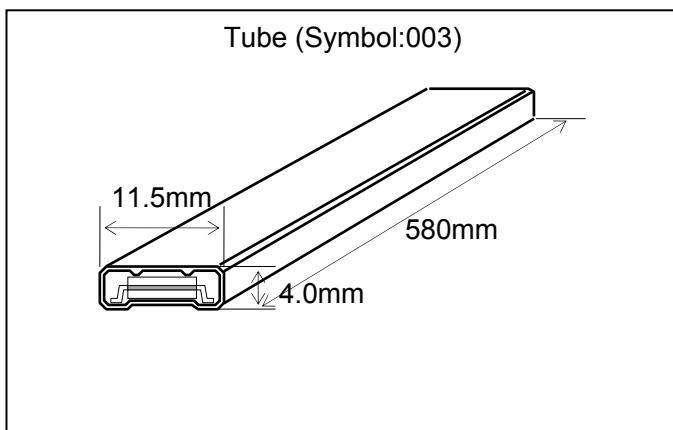
性能 Performances

| 形式 | Type | MC8-1, MCN8-1 | MC16-1, MCN16-1 | MC20, MCN20 |
|-------------|-----------------------|----------------------------|---------------------------|---------------------------|
| 抵抗値 | Resistance Range | 100-22K ohm | 100-22K ohm | 100-22K ohm |
| トラッキング | TC Tracking | (2ppm/K) | (2ppm/K) | (2ppm/K) |
| レシオ | Ratio | (0.02%) | (0.02%) | (0.02%) |
| 抵抗温度係数 | TC-Absolute | +/-5ppm/K(Z) | +/-5ppm/K(Z) | +/-5ppm/K(Z) |
| 抵抗値許容差 | Tolerance-Absolute | +/-0.05% (A), +/-0.1% (B) | +/-0.05% (A), +/-0.1% (B) | +/-0.05% (A), +/-0.1% (B) |
| 抵抗素子あたり定格電力 | Rating Power/Resistor | 50mW | 50mW | 50mW |
| パッケージ定格電力 | Rating Power/Package | 0.2W | 0.4W | 0.5W |
| 最高電圧 | Max. Operating Volt. | $\sqrt{P \cdot R}$ or 100V | | |
| 定格使用温度 | Rating Temp. | +75 deg C | | |
| 動作温度範囲 | Operating Temp. Range | -20 deg C to +120 deg C | | |
| 保存温度範囲 | Storage Temp. Range | -55 deg C to +120 deg C | | |

If Tracking and Ratio specifications are necessary please contact to factory, info@nikkohm.co.jp.

仕様 Electrical Specifications

| 項目 | Items | Specifications | Conditions |
|--------|-----------------------|----------------------|--|
| 短時間過負荷 | Short Time Overload | +/- (0.05%) absolute | 2.5 times rating power, 5 seconds |
| 絶縁抵抗 | Insulation Resistance | >10,000Mohm | |
| 絶縁耐電圧 | Withstand Voltage | +/- (0.05%) absolute | 100V, 60 seconds |
| 熱衝撃 | Heat Shock | +/- (0.1%) absolute | 5 cycles for temp. -65, +25, +125, +25 C |
| はんだ耐熱性 | Soldering Heat | +/- (0.05%) absolute | 350 deg C, 3 seconds |
| はんだ付性 | Solder ability | Covered 95% area | 230 deg C, 3 seconds |
| 耐溶剤性 | Solvent | No mechanical damage | |
| 耐湿性 | Humidity | +/- (0.1%) absolute | 40 deg C, 90-95RH, 90min.ON, 30minOFF, 1000hours |
| 負荷寿命 | Load Life | +/- (0.1%) absolute | 70 deg C, 90min.ON, 30minOFF, 1000hours |



Note:

In P/N definition, additional 3 digits code shows lead-free structure and packaging method. When first digit is "0" then terminals are solder plated, when "Z" tin plated. Third digit "0" shows bulk and "3" shows stick packaging. If you have any question, please call info@nikkohm.com.

RoHS compliance cannot be available, when RoHS is necessary please contact to factory info@nikkohm.com

形式呼称における末尾3桁の数値は、RoHS 適合性と梱包の種類を表す。末尾3桁 000は、RoHS 非適合、バルク包装、001は RoHS 非適合、テープリール包装、003は、チューブ包装である。RoHS 適合品が必要な場合は、末尾3桁を、Z00、Z01、Z03のように指定してください。RoHS 適合品は、リードの表面処理は、すずめっきではなく、金めっきとなることを、ご承知おきください。